

SCIENTIFIC SOLID DOOR FREEZERS

 Model: EL-F-23 EL-F-49 EL-F-72

 International Model:
Add -50 (220V/50Hz/1Ph)


EL-F-23



EL-F-49



EL-F-72

Aegis solid door top mount freezers delivers an ideal cold storage environment which meets or exceeds the AABB and CDC regulations for frozen medical applications like enzymes, sample medicine and vaccines. The unit comes with a 6' (2m) NEMA cord set and includes a condensate evaporator, no drain connection needed, so it arrives as a "plug & play" appliance. The unit security is ensured by a door lock and key set and password protected digital control system. The basic design delivers years of trouble-free, reliable, cost-effective operation if properly maintained.

FEATURES

- Digital Temperature Display (can display C° or F°)
- Lockable, hinged solid stainless steel door(s)
- Capped remote communication access port (3/4" opening - 2nd port optional)
- Optional integrated data recording instruments like data loggers, recorders or wifi wireless transmitters or a remote communication system like an ethernet hookup
- Programmable automatic defrost cycle for reliable continuous operation
- LED interior lighting
- Audible & visible alarms that indicate if power fails, a door is opened longer than selected time period, stored product temperature approaches pre-selected temperature, unit is in defrost cycle or fan is not operational
- 3 Plastic coated wire shelves per section
- 4 swivel casters standard (2 with brakes)
- Comes with manufacturer Q&A report including performance validation, certifications, default settings and 24/7 technical support call-in phone number
- Comes with silicon crystal desiccant pack for more efficient and consistent humidity control and glycol bottle for temperature monitoring

TEMPERATURE

- Regulated temperature range: -10° to 10°F (-23° to -12°C)
- Default factory setting: -20°C (-4°F)
- Digitally controlled system maintains optimum temperature
- Solid state control system is password protected so the set point cannot be changed inadvertently or by an unauthorized individual
- Forced air cooling maintains even temperature regulation within the refrigerator (± 2°C)

CONSTRUCTION

- Oversized, environmentally friendly R-404a refrigeration system maintains the ideal storage temperature even if accessed frequently
- Exterior Material: Stainless Steel
- Interior Material: Stainless Steel
- Efficient, durable, easily replaced compression door gaskets tightly seal the unit to assist in delivering outstanding temperature regulation and energy efficiency
- Comes with a NEMA 5-15 (1/2 door units) or L14-20R Cord Set (3 door)
- Comes with eco-friendly high R value urethane foam insulation
- Certified to meet the applicable industrial standards for safe and sanitary refrigerated or frozen product storage

REFRIGERANT

CFC & HCFC free R-404A

NEMA 5-15

NEMA L14-20R



EL-F-23/49

3-F-72

ELECTRIC

EL-F-23/49: 115/60Hz/1 Ph (NEMA 5-15)

EL-F-72: 220V/60Hz/1Ph (NEMA L14-20R)

International 220v models are available as an option

International 220v models are available as an option. 50 & 60 Hz can be requested


 Certified to
ANSI-NSF 7

 Certified to
ANSI UL 471

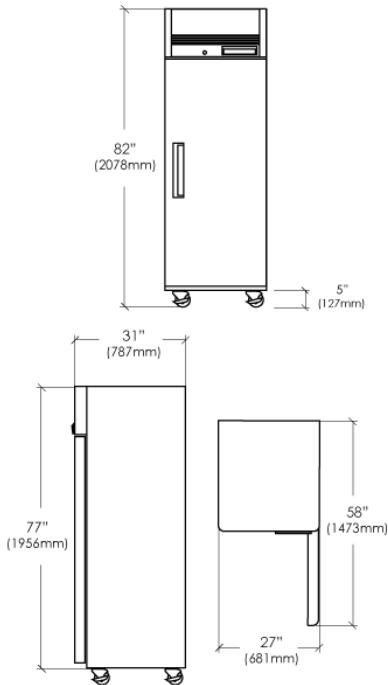
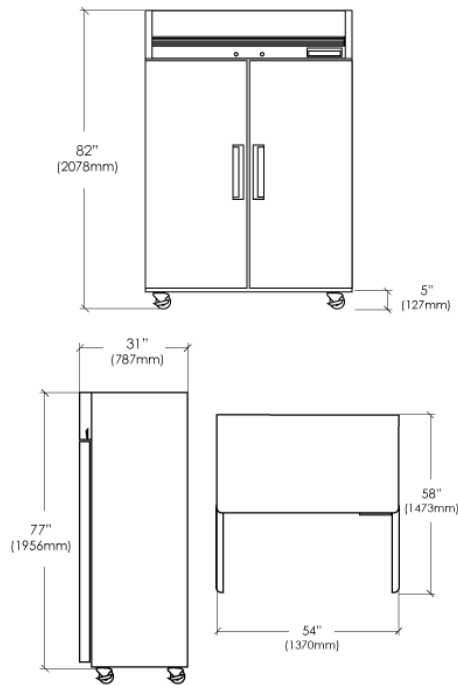
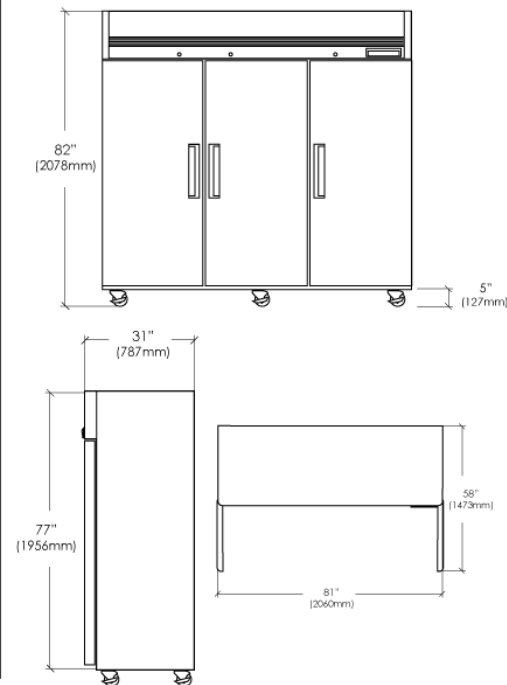
 Conforms to CDC design criteria &
AABB performance requirements

Due to periodic changes in designs, methods, procedures, policies and regulations, the specifications contained in this sheet are subject to change without notice. While we exercise good faith efforts to provide information that is accurate, we are not responsible for errors or omissions in information provided or conclusions reached as a result of using the specifications. By using the information provided, the user assumes all risks in connection with such use.

The built in performance enhancing functions ensure that given proper attention and preventative maintenance, each Aegis Product will deliver years of trouble free, reliable, low maintenance, efficient operation.

SCIENTIFIC SOLID DOOR FREEZERS

Forced air cooling system delivers an even temperature distribution throughout the unit. Internal temperatures are held within $\pm 2^{\circ}\text{C}$ and the factory settings enable the unit to hold -20°C nominal.

EL-F-23

EL-F-49

EL-F-49


The overall height of the unit may be brought under 80" with an optional shorter caster set of 4 heavy duty casters (2 come with brakes).

	EL-F-23	EL-F-49	EL-F-72
In: External Dimensions W x D x H	27 x 31 x 82	54 x 31 x 82	81 x 31 x 82
mm: External Dimensions W x D x H	681 x 787 x 2078	1370 x 787 x 2078	2060 x 787 x 2078
Nominal Compartment Volume	23 Cu Ft / 651 L	49 Cu Ft / 1387 L	72 Cu Ft / 2039 L
Actual Usable Storage Capacity	19.5 Cu Ft / 550 L	43.6 Cu Ft / 1236 L	65.5 Cu Ft / 855 L
Hinged Doors	1	2	3
Shelves	3	6	9
Unit Weight	273 lb / 124 kg	418 lb / 190 kg	595 lb / 270 kg
Electrical Service	115V/60Hz/1Ph	115V/60Hz/1Ph	220V/60Hz/1Ph
Wattage / Suggested Circuit Protection	920 W / 15 Amps	1205 W / 15 Amps	1625 W / 15 Amps
Average Amp Draw	1.6	3.8	2.6
Provided 6' NEMA Cord Set	5-15	5-15	L14-20R
Factory Temperature Setting	-20°C (-4°F)	-20°C (-4°F)	-20°C (-4°F)

Due to periodic changes in designs, methods, procedures, policies and regulations, the specifications contained in this sheet are subject to change without notice.

While we exercise good faith efforts to provide information that is accurate, we are not responsible for errors or omissions in information provided or conclusions reached as a result of using the specifications.

By using the information provided, the user assumes all risks in connection with such use.